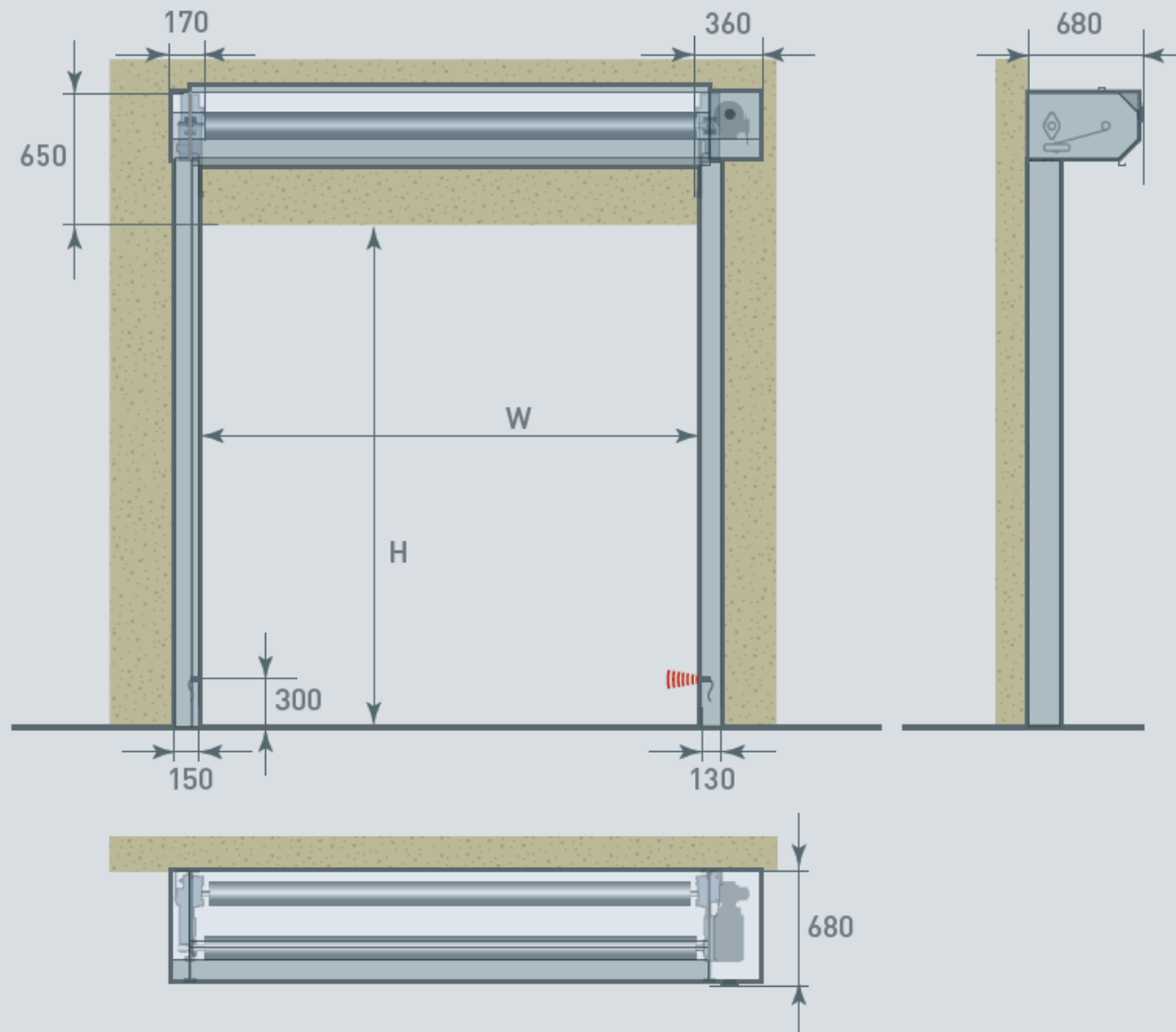
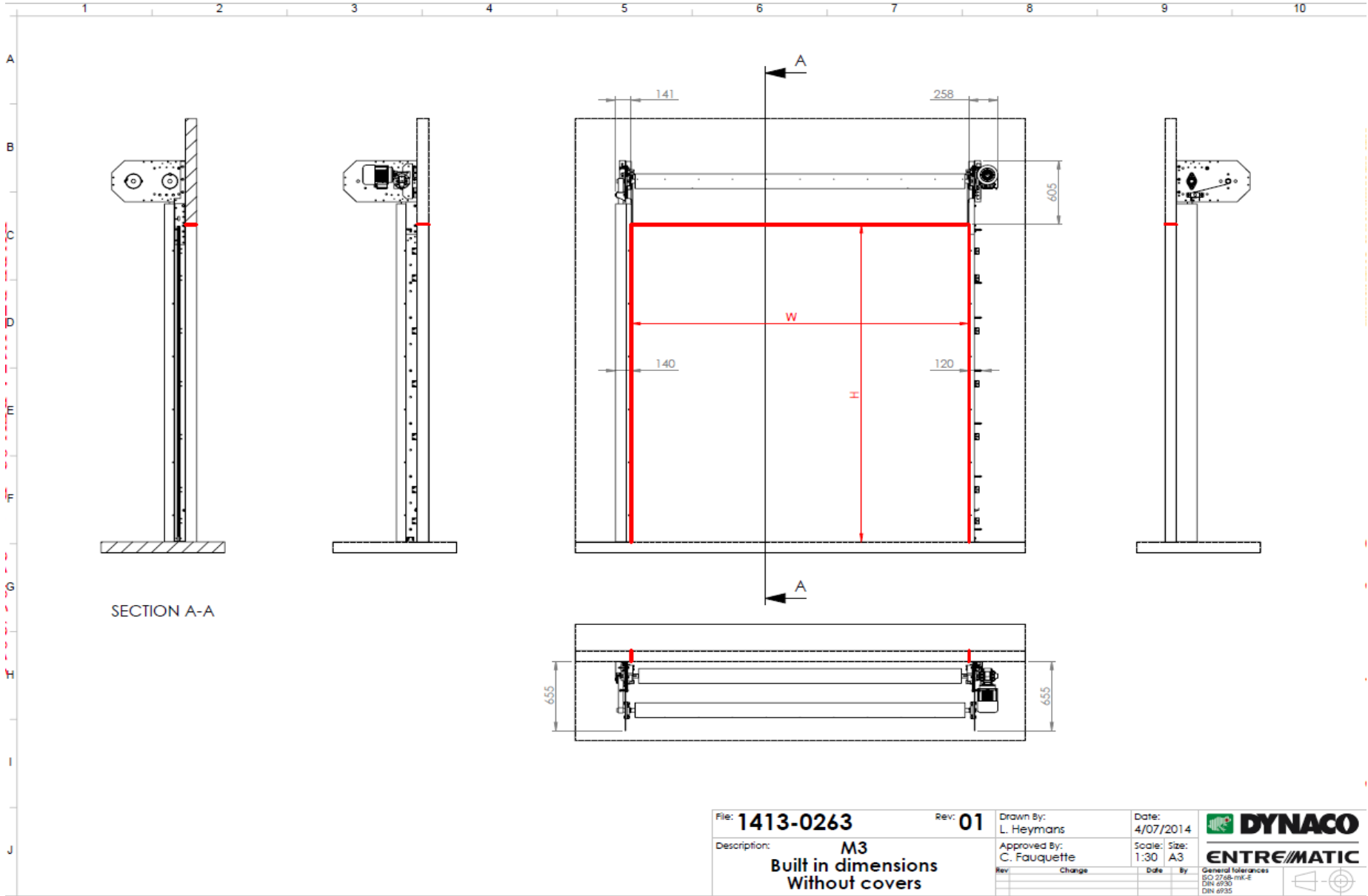


Dimensions and installation requirements Dynaco M3 Power



All indicated dimensions are net: the space necessary for mounting and maintenance has to be provided. Remark: drum cover available for doors up to 5900mm wide.



SECTION A-A

File: **1413-0263** Rev: **01**

Description: **M3
Built in dimensions
Without covers**

Drawn By:
L. Heymans

Approved By:
C. Fauquette

Rev.	Change	Date	By

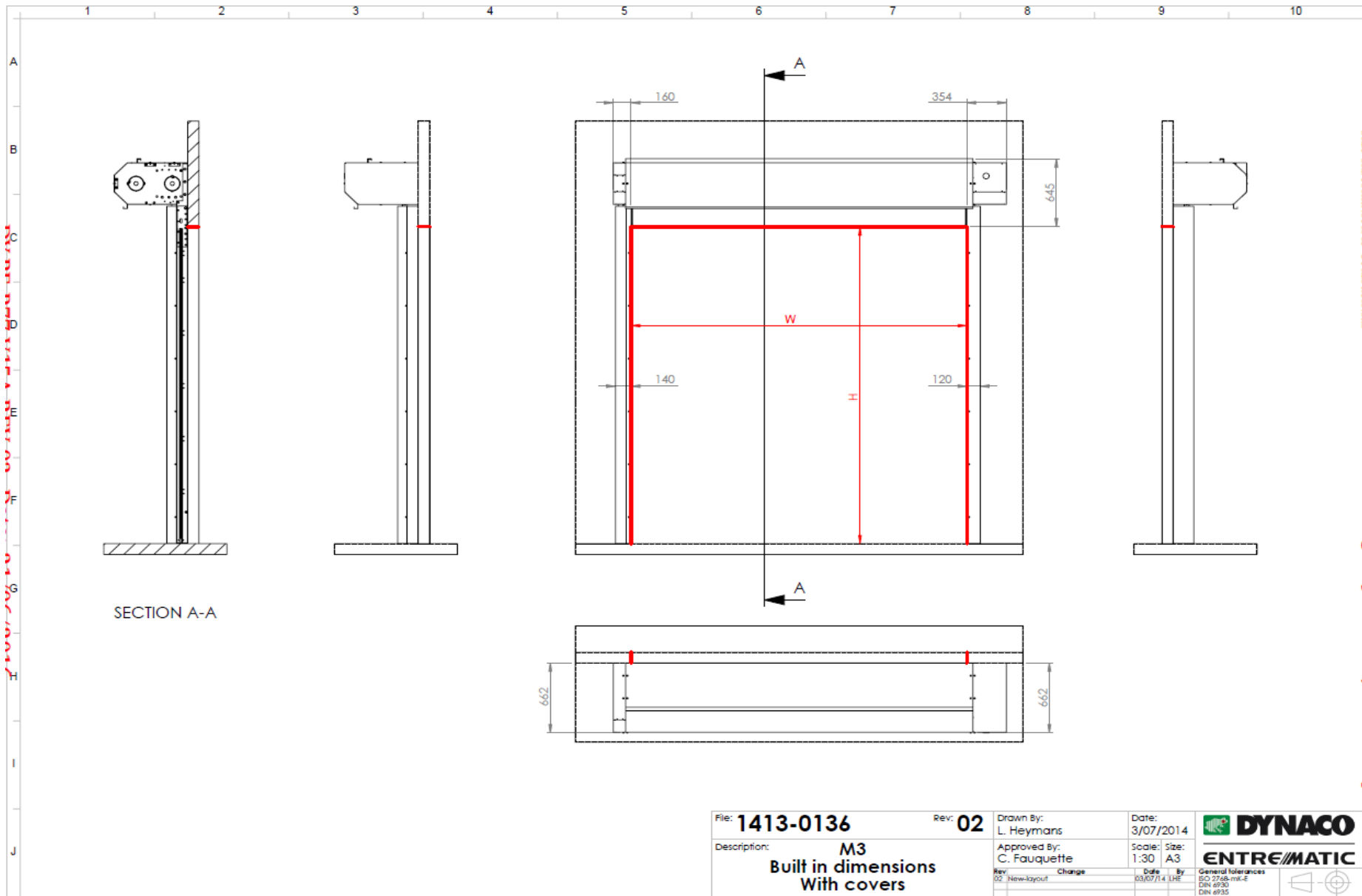
Date:
4/07/2014




Scale: Size:
1:30 A3

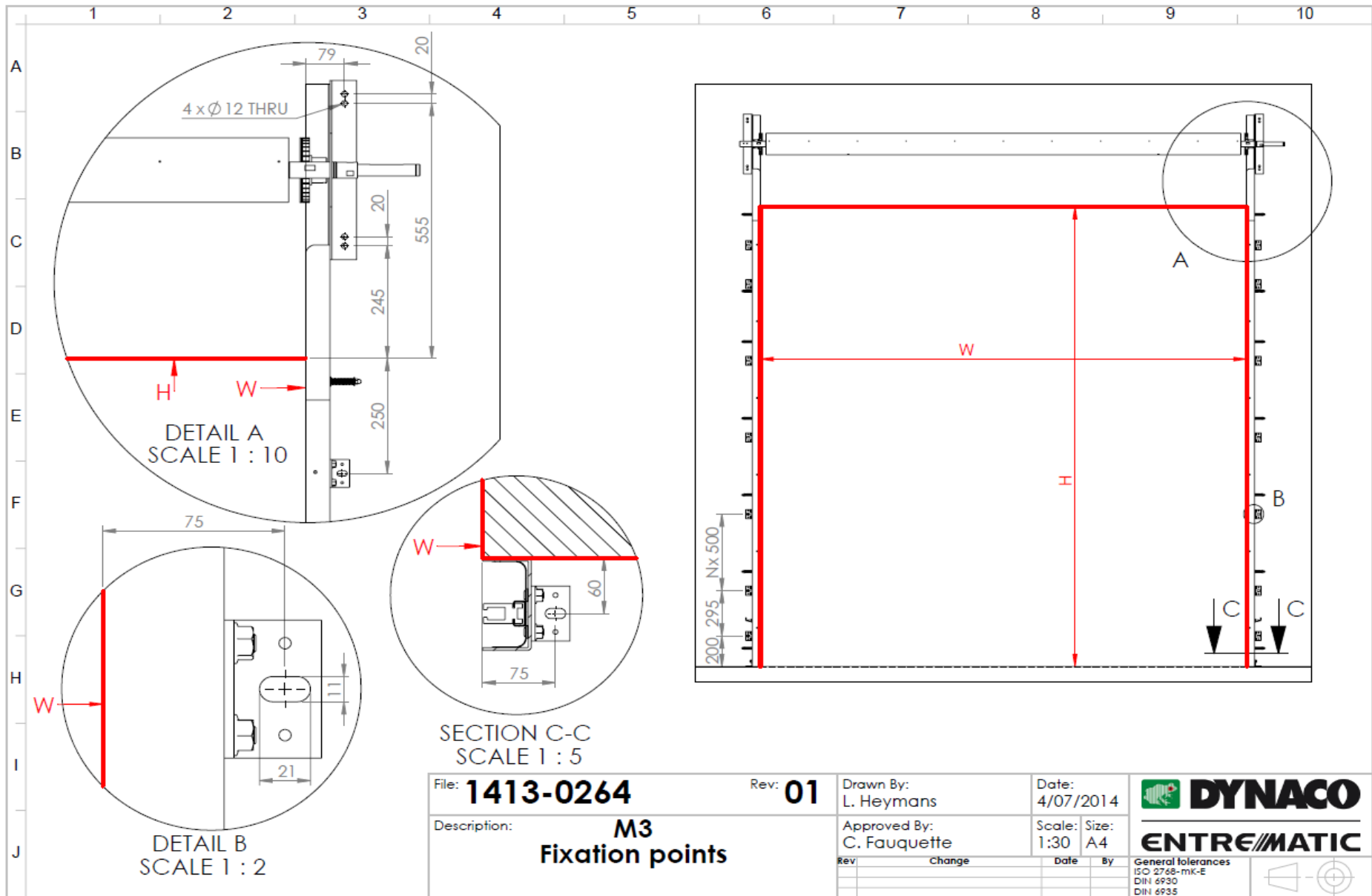


General tolerances
ISO 2768-mt-E
DIN 6130
DIN 6935





File: 1413-0136	Rev: 02	Drawn By: L. Heymans	Date: 3/07/2014	 DYNACO  ENTREMATIc
Description: M3 Built in dimensions With covers		Approved By: C. Fauquette	Scale: Size: 1:30 A3	
Rev: Change		Date	By	General tolerances ISO 2768-mk-E DN 6930 DN 6935
02 New-layout		03/07/14	LHE	



File: **1413-0264**
 Description: **M3**
Fixation points

Rev: **01**

Drawn By:
L. Heymans

Approved By:
C. Fauquette

Date:
4/07/2014

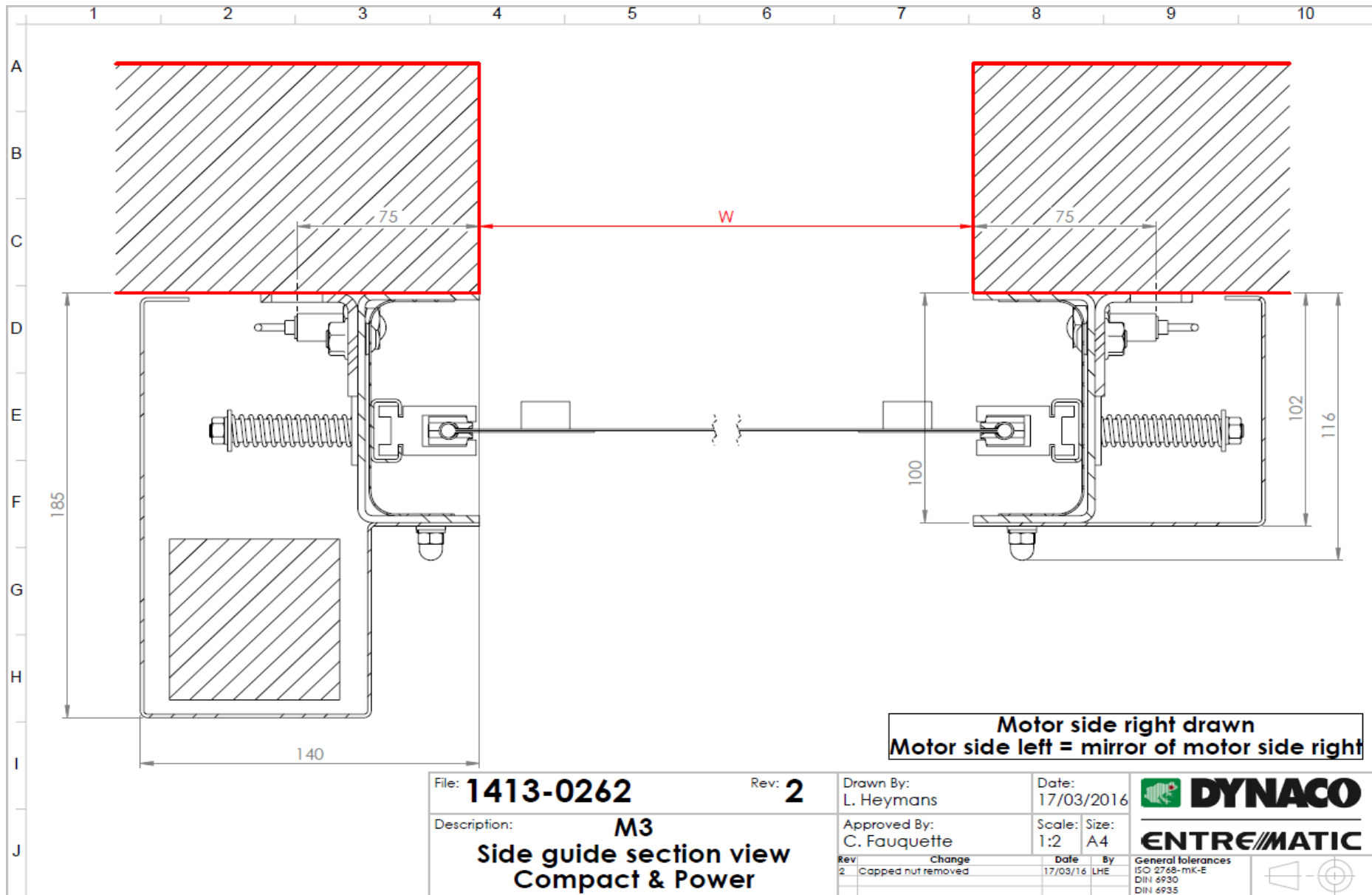
Scale: Size:
1:30 A4



General tolerances
ISO 2768-mk-E
DIN 6930
DIN 6935



rev	Change	date	By



Motor side right drawn
Motor side left = mirror of motor side right

File:	1413-0262	Rev:	2
Description:	M3		
	Side guide section view		
	Compact & Power		

Drawn By:	L. Heymans	Date:	17/03/2016
Approved By:	C. Fauquette	Scale:	1:2
Size:	A4	Rev:	2
Change:	Capped nut removed	Date:	17/03/16
By:	LHE		

DYNACO
ENTRE//MATIC

General tolerances
ISO 2748-mk-E
DIN 6930
DIN 6935