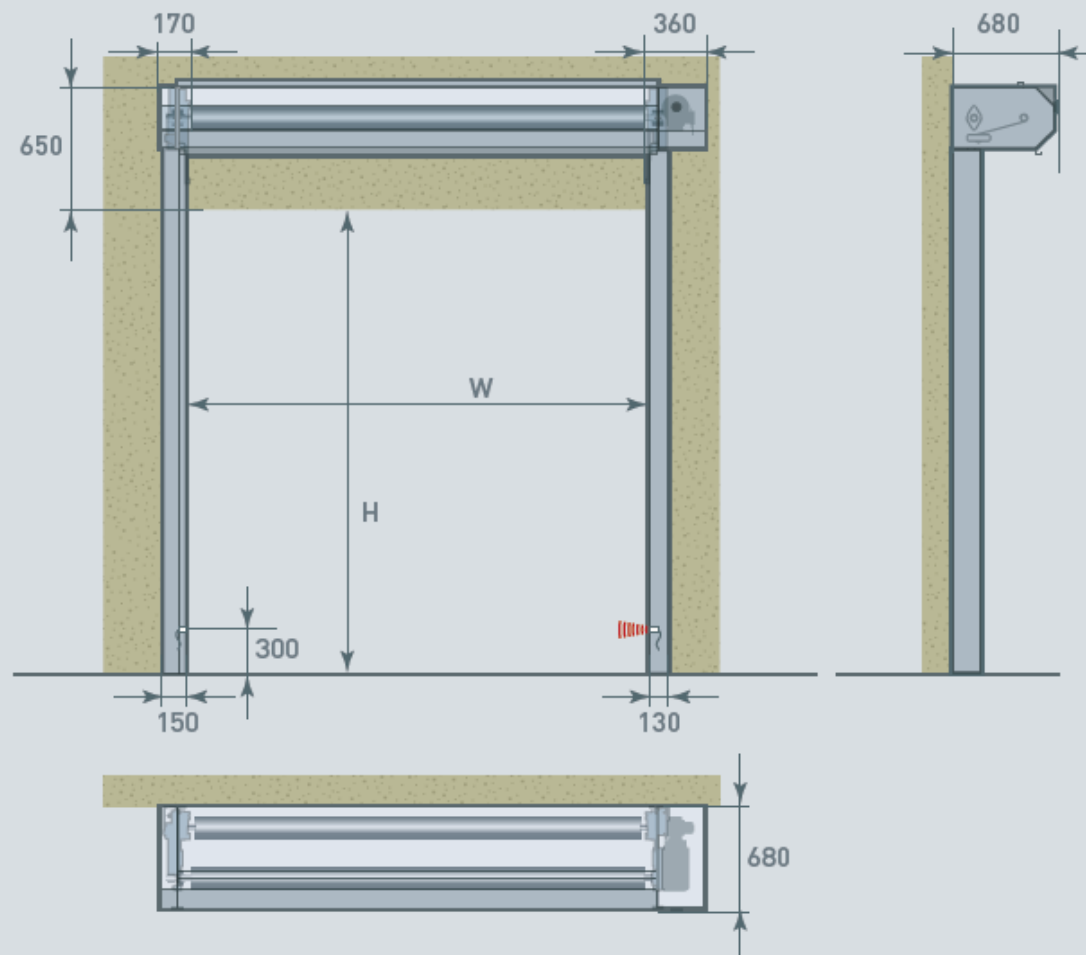


Dimensions and installation requirements Dynaco M3 Compact

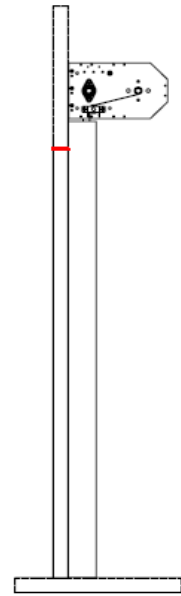
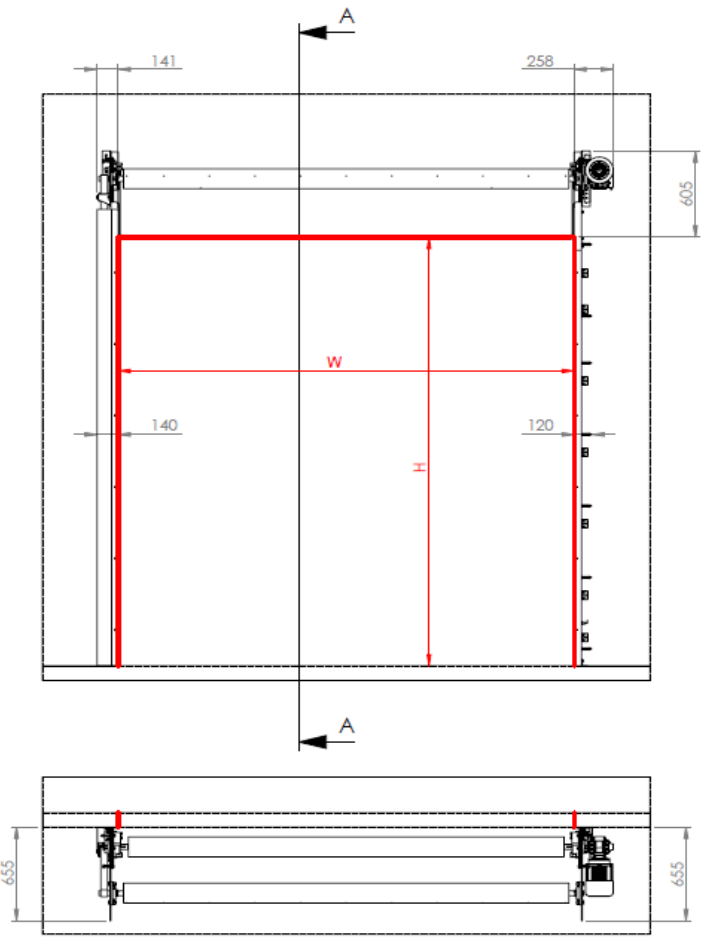
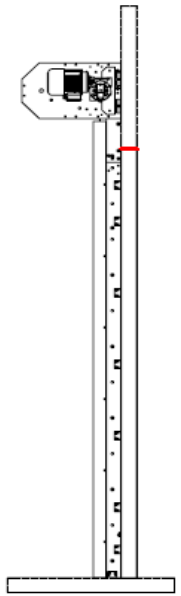
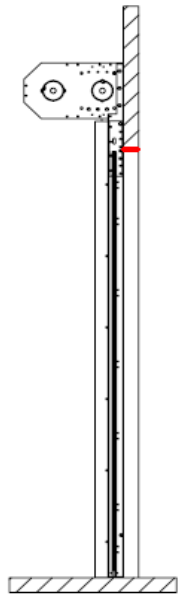


All indicated dimensions are net: the space necessary for mounting and maintenance has to be provided. Remark: drum cover available for doors up to 5900mm wide.

REMARK: Based on the risk analysis of the environment, extra push buttons, detectors and covers might be required.

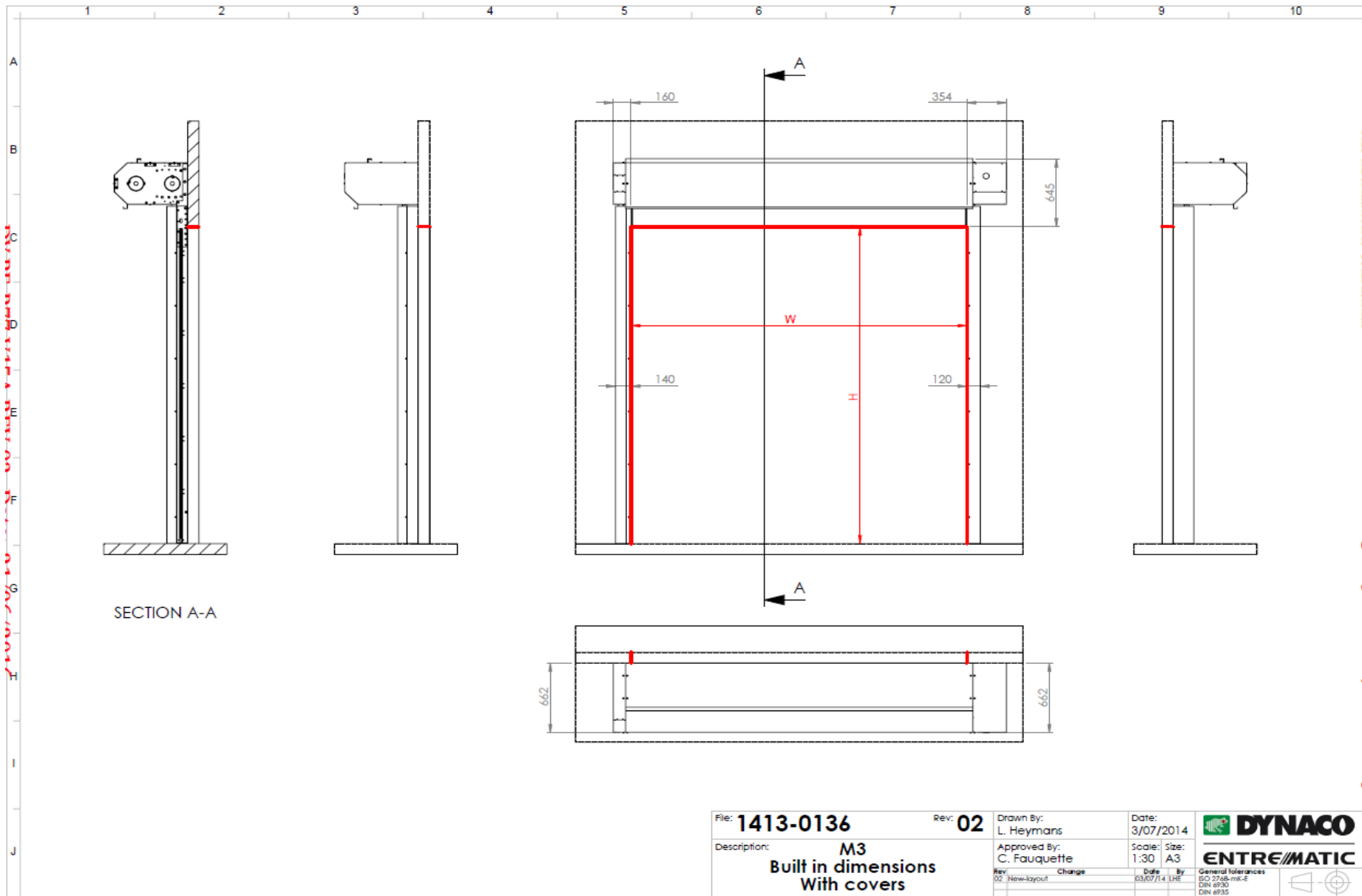
1 2 3 4 5 6 7 8 9 10

A
B
C
D
E
F
G
H
I
J

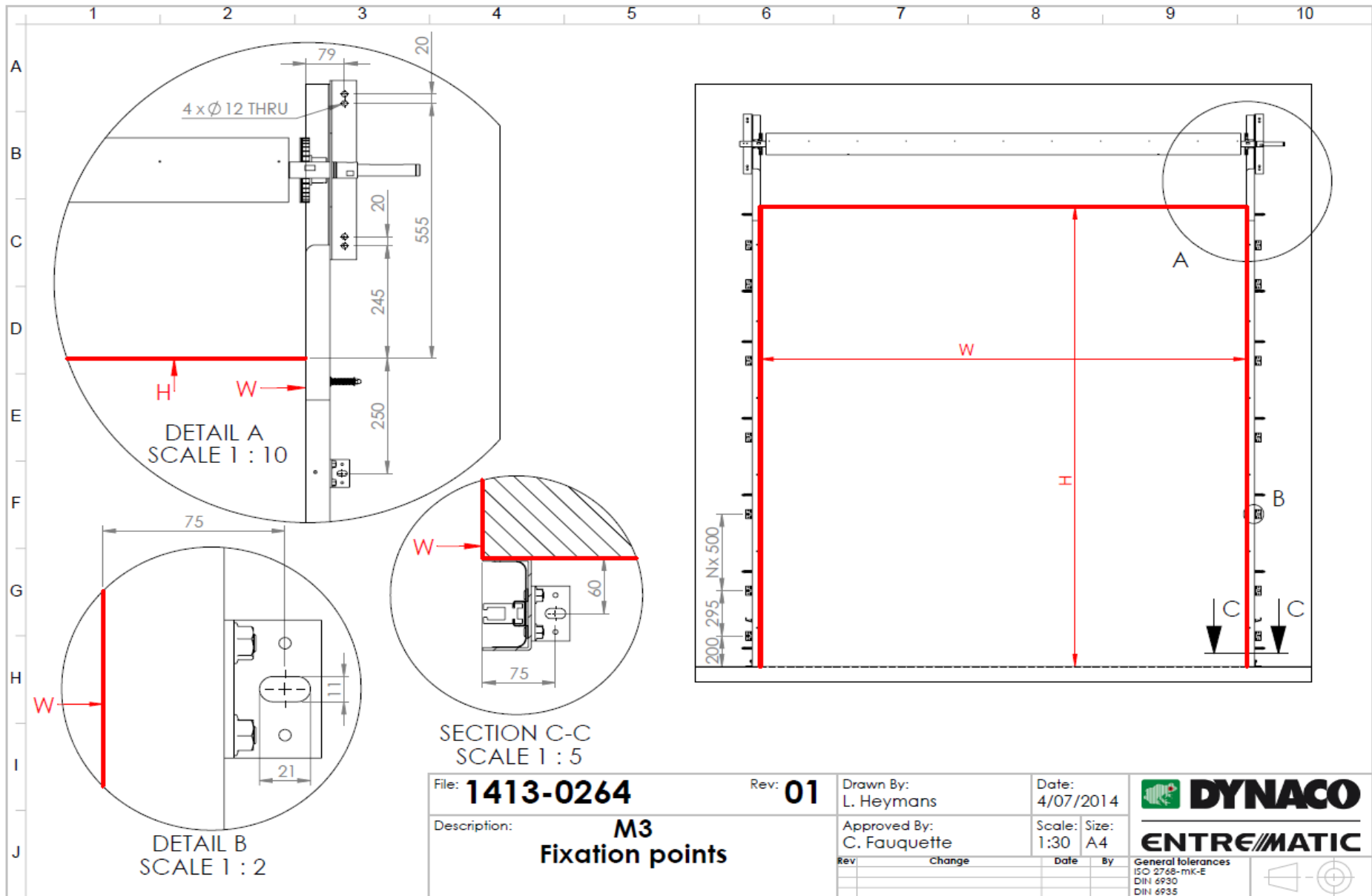


SECTION A-A

File:	1413-0263	Rev:	01	Drawn By:	L. Heymans	Date:	4/07/2014
Description:	M3 Built in dimensions Without covers			Approved By:	C. Fauquette	Scale:	1:30
				Size:	A3	 	
Rev:	Change	Date	By	General tolerances ISO 2768-mK-E DIN 6130 DIN 6135			



File: 1413-0136	Rev: 02	Drawn By: L. Heymans	Date: 3/07/2014	
Description: M3 Built in dimensions With covers	Approved By: C. Fauquette	Scale: 1:30	Size: A3	
Rev: 02	Change: New-layout	Date: 03/07/14	By: LHE	General tolerances ISO 2768-mk-E DN 6930 DN 6935



File: **1413-0264**

Rev: **01**

Drawn By:
L. Heymans

Date:
4/07/2014



Description: **M3
Fixation points**

Approved By:
C. Fauquette

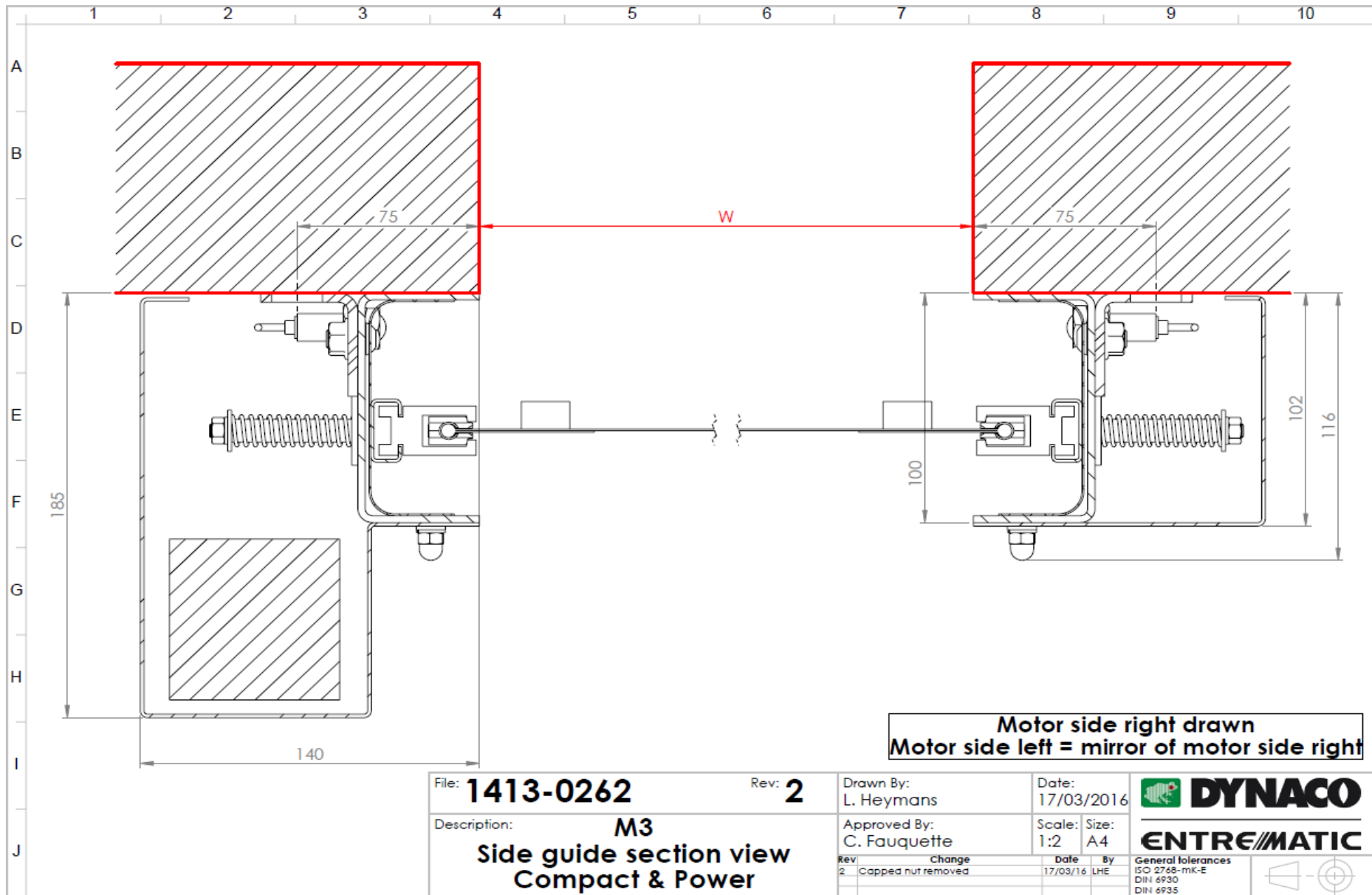
Scale: Size:
1:30 A4



rev	Change	Date	By

General tolerances
ISO 2768-mK-E
DIN 6930
DIN 6935





Motor side right drawn
Motor side left = mirror of motor side right

File: **1413-0262** Rev: **2**
 Description: **M3**
Side guide section view
Compact & Power

Drawn By: L. Heymans
 Approved By: C. Fauquette
 Date: 17/03/2016
 Scale: 1:2
 Size: A4

DYNACO
ENTRE/MATIC

General tolerances
 ISO 2748-mk-E
 DIN 6930
 DIN 6935

Rev	Change	Date	By
2	Capped nut removed	17/03/16	LHE