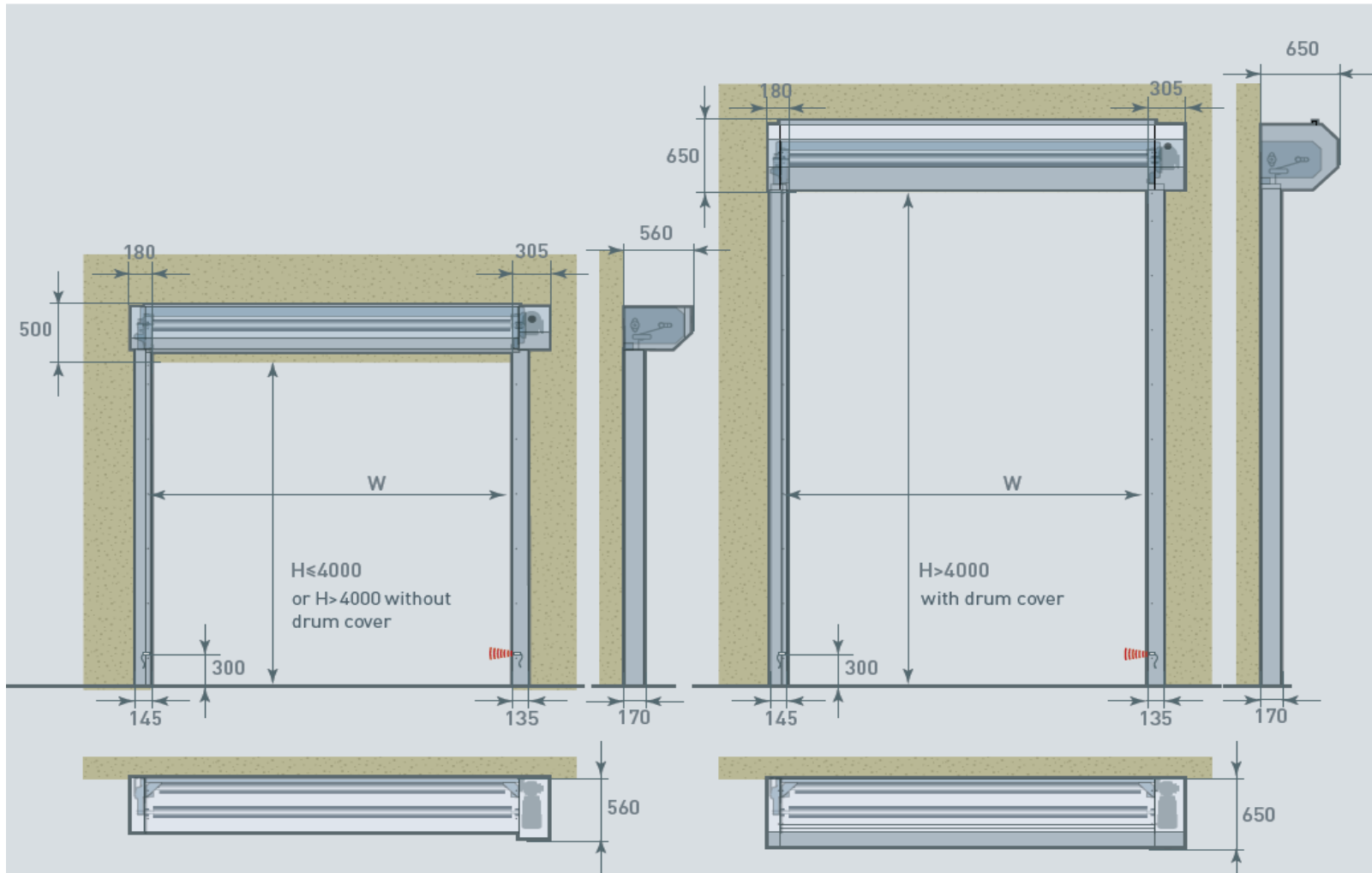
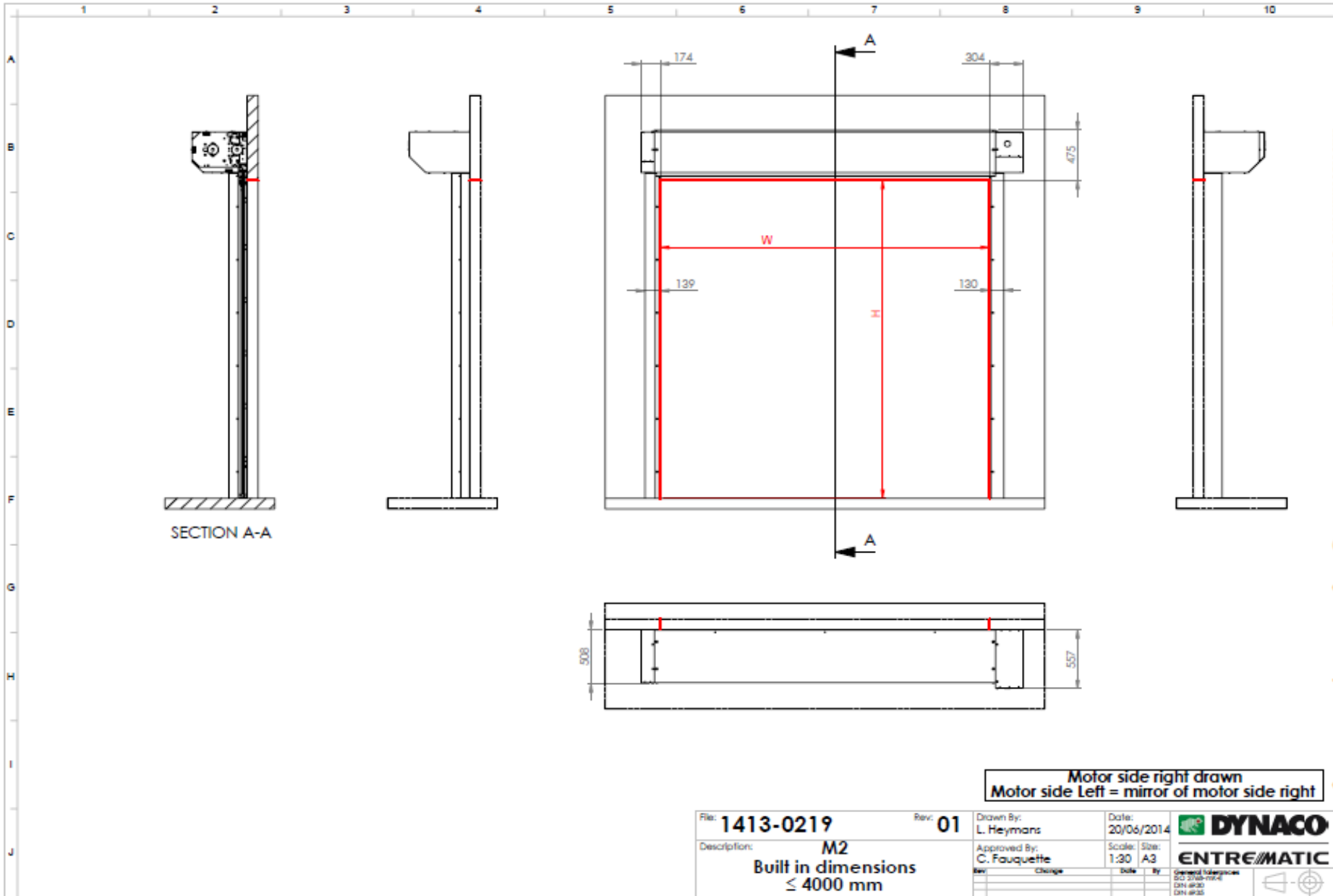


Dimensions and installation requirements Dynaco M2 Compact



All indicated dimensions are net: the space necessary for mounting and maintenance has to be provided.

REMARK: Based on the risk analysis of the environment, extra push buttons, detectors and covers might be required.



SECTION A-A

Motor side right drawn
 Motor side Left = mirror of motor side right

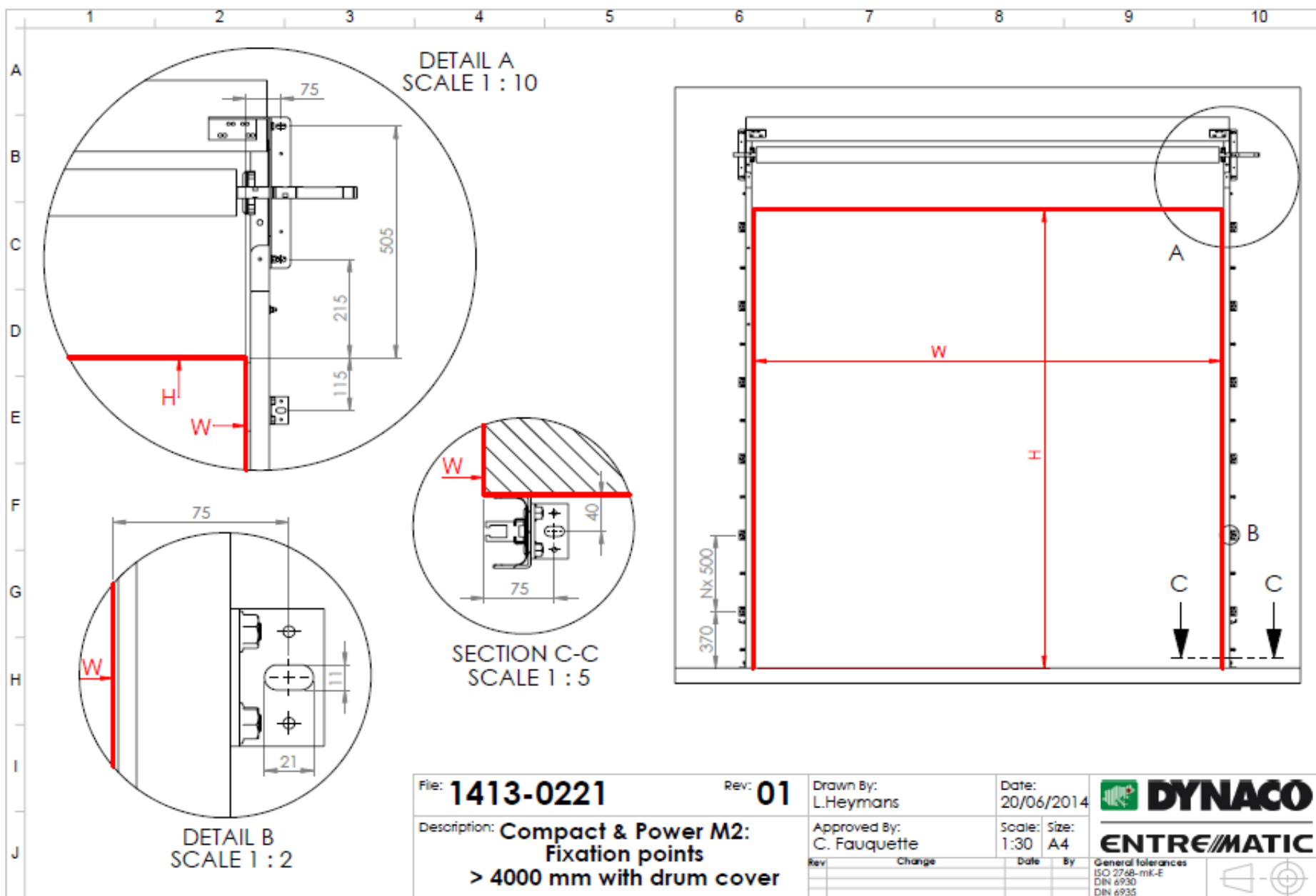
File:	1413-0219	Rev:	01
Description:	M2 Built in dimensions ≤ 4000 mm		

Drawn By:	L. Heymans	Date:	20/06/2014
Approved By:	C. Fauquette	Scale:	1:30
Size:	A3	By:	
Rev:	Change	Date	By

DYNACO
ENTREMATIc
 General tolerances:
 ISO 2768-mS
 DIN 4150
 DIN 4152

© All rights reserved by Dynaco

This information is Confidential © All rights reserved by Entrematic Belgium



DETAIL A
SCALE 1 : 10

SECTION C-C
SCALE 1 : 5

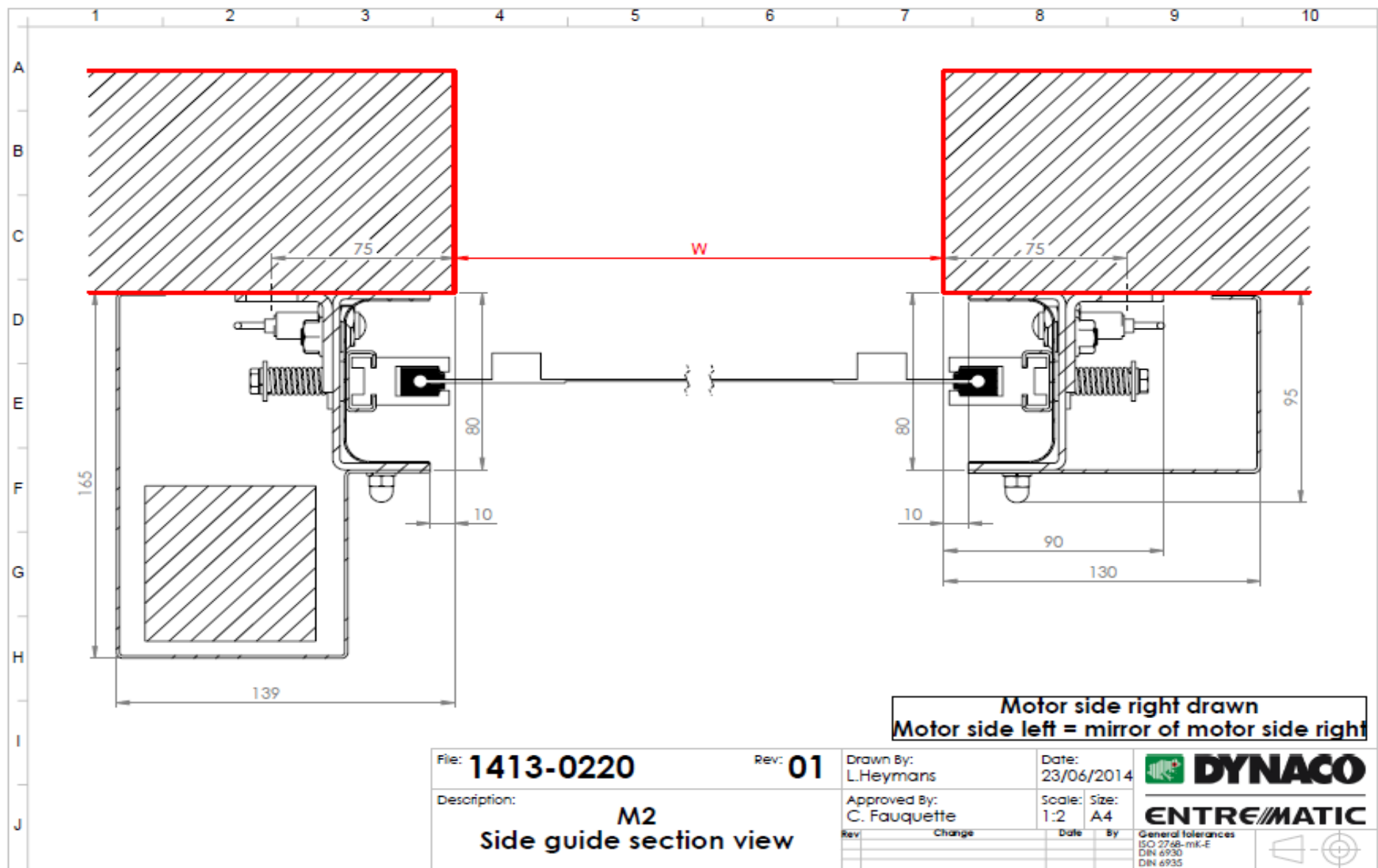
DETAIL B
SCALE 1 : 2

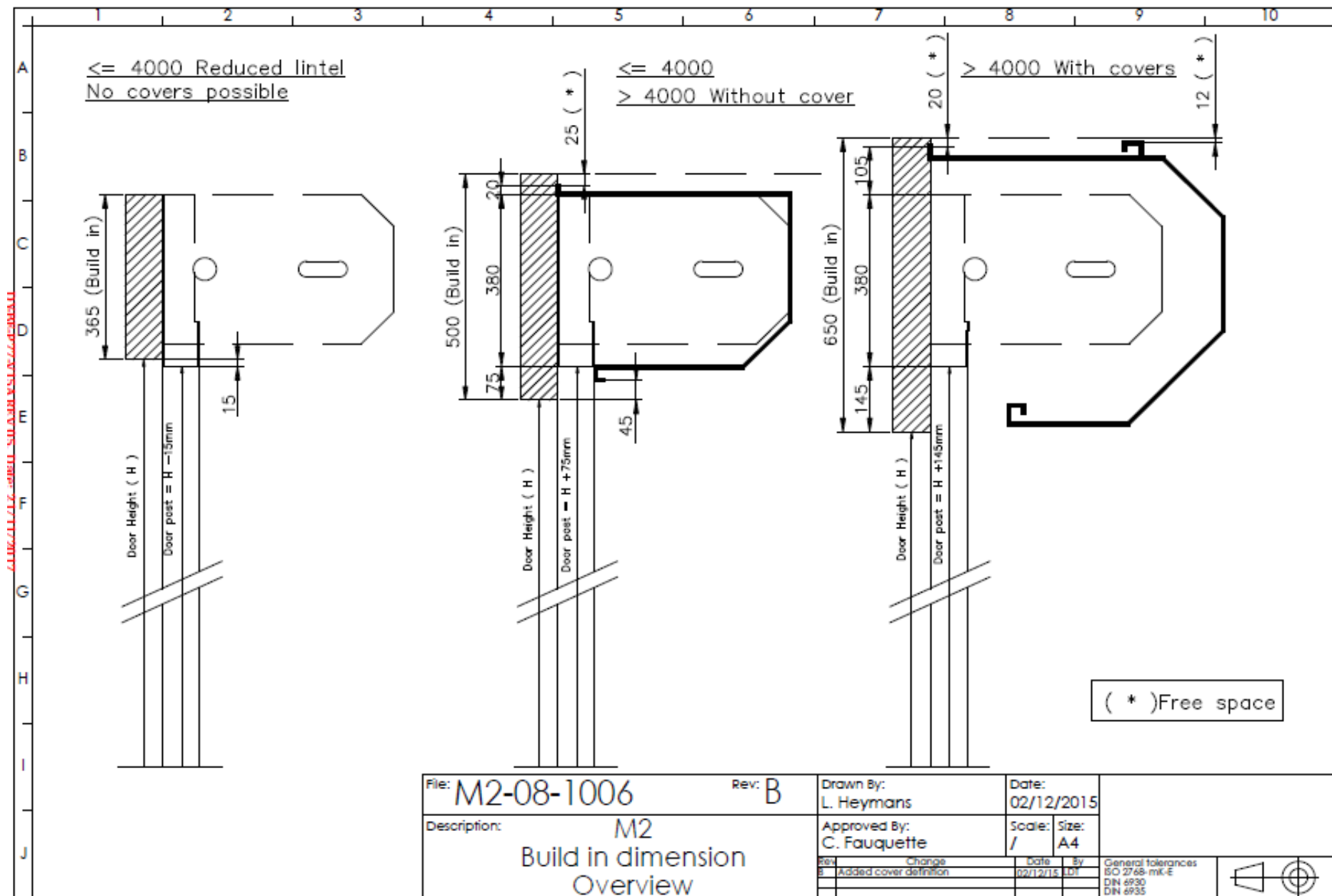
File: **1413-0221** Rev: **01**
 Description: **Compact & Power M2:**
Fixation points
> 4000 mm with drum cover

Drawn By: L. Heymans	Date: 20/06/2014
Approved By: C. Fauquette	Scale: 1:30 Size: A4
Rev: _____	Change _____
Date _____	By _____

DYNACO
ENTRE//MATIC

General tolerances
 ISO 2768-mk-E
 DIN 6930
 DIN 6935





File: M2-08-1006	Rev: B	Drawn By: L. Heymans	Date: 02/12/2015
Description: M2 Build in dimension Overview		Approved By: C. Fauquette	Scale: / Size: A4
rev	Change	Date	By
8	Added cover definition	02/12/15	LOT
General tolerances ISO 2768-mk-E DIN 6930 DIN 6935			

4102/11/12 - DBU - SU - 001 - 1006 - 0001