

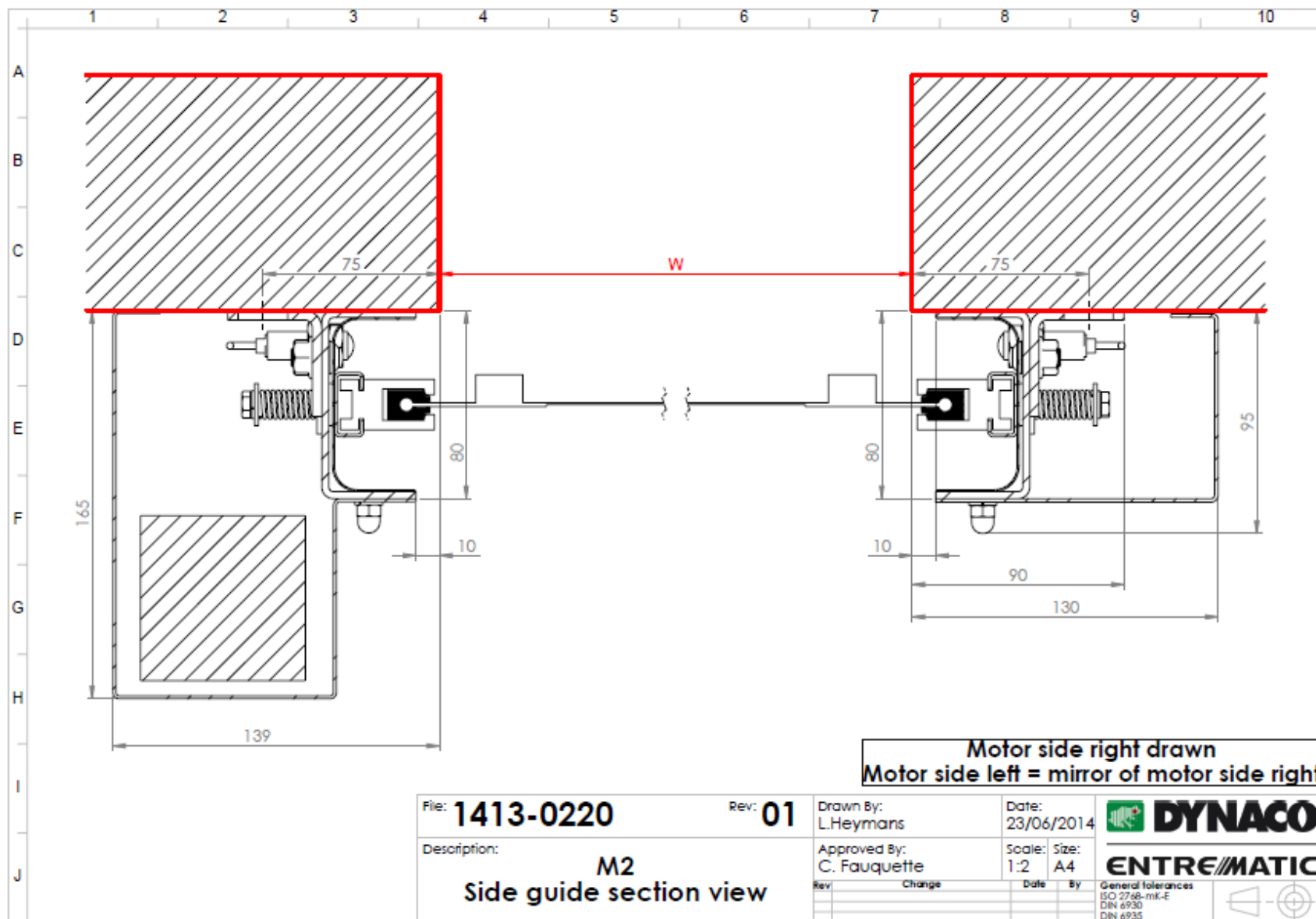
File: <b>1413-0230</b>	Rev: <b>2</b>	Drawn By: L.Heymans	Date: 29/05/2015
Description: <b>M2 All Weather Fixation points &gt; 4000 mm with drum cover</b>		Approved By: P.A. Duraffourg	Scale: 1:30 Size: A4
Rev	Change	Date	By

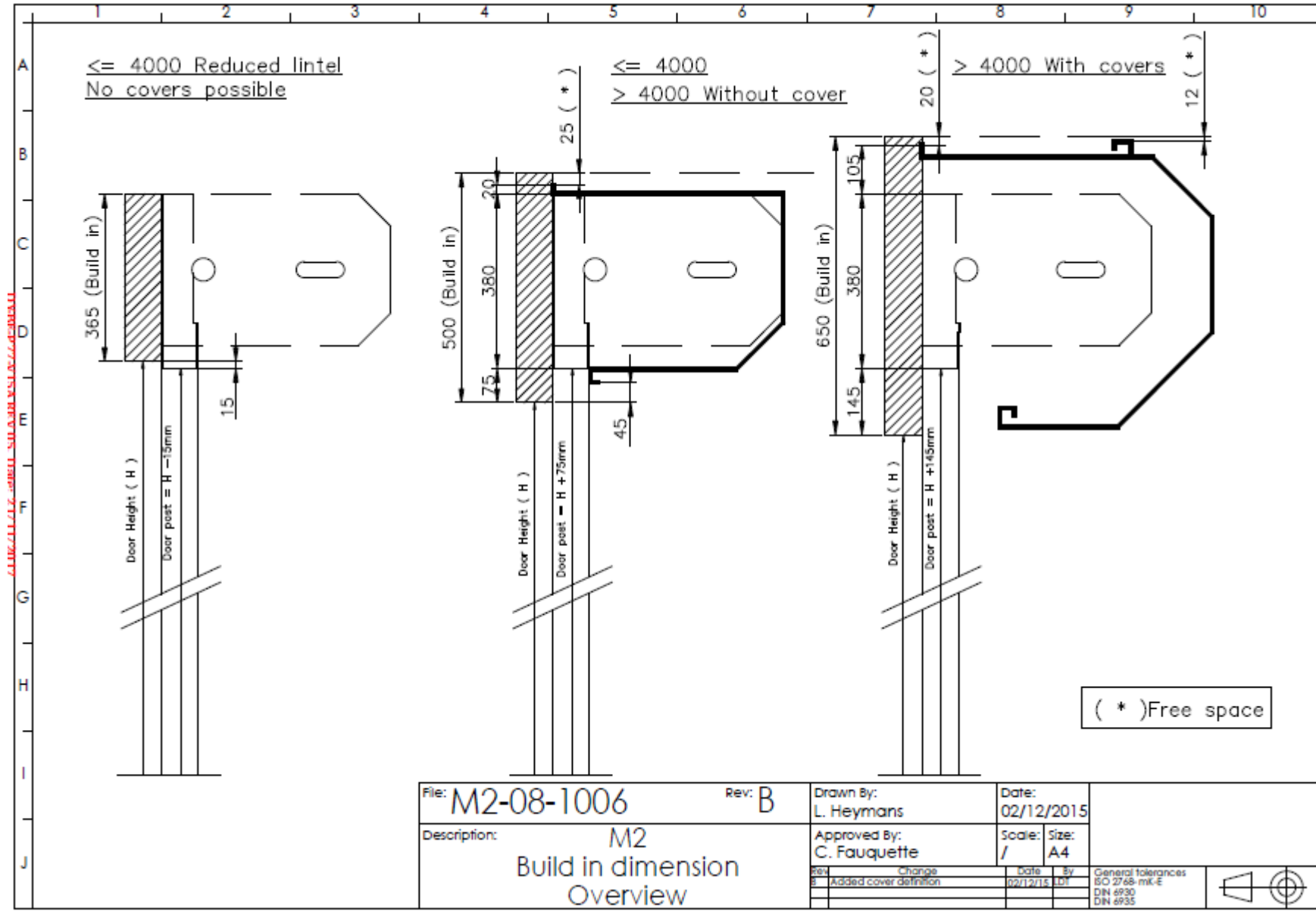
**DYNACO**  
**ENTREMATIC**

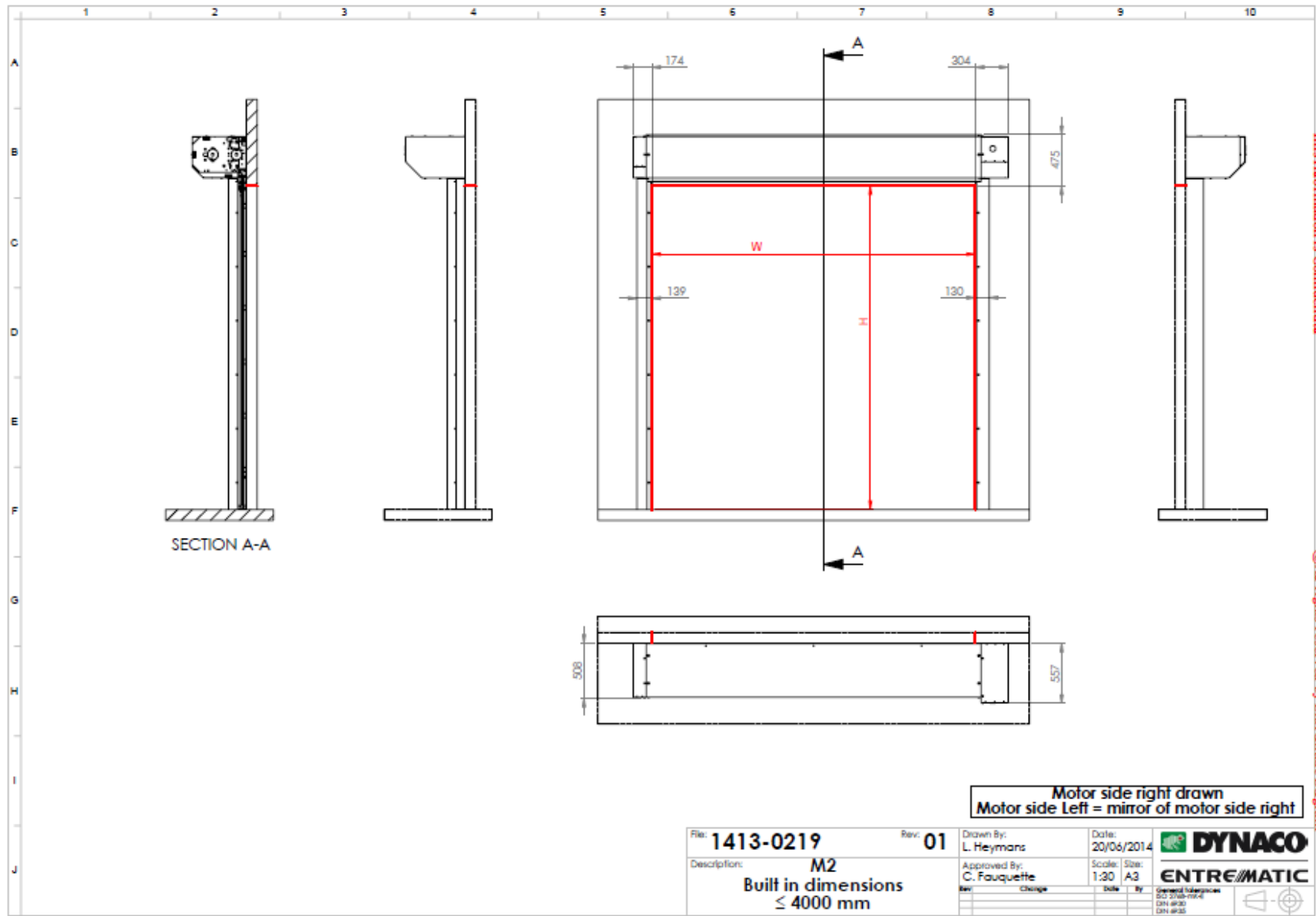
General tolerances  
ISO 2768-mK-E  
DIN 6930  
DIN 6935

© All rights reserved by Dynaco

ENTREMATIC est un service client de Dynaco







This Information is Confidential ©All rights reserved by Entrematic Belgium

Motor side right drawn  
Motor side Left = mirror of motor side right

File: <b>1413-0219</b>	Rev: <b>01</b>	Drawn By: L. Heymans	Date: 20/06/2014	 
Description: <b>M2</b> <b>Built in dimensions</b> <b>≤ 4000 mm</b>		Approved By: C. Fauquette	Scale: Size: 1:20 A3	
		Rev: Change	Date	By

General Manager  
SC 3748-M2-E  
DN 4030  
DN 4035  
© All rights reserved by Dynaco