

Brandjalusi B-FSEI30-EI60



Enligt det nya kravet på CE-märkning av motordrivna brandgardiner ska den sammansatta produkten vara bestyrkt att uppfylla såväl maskindirektivet 2006:42:EG, EMC 2014/30/EU som byggproduktförordningen EN 16034:2014 (Produktstandard funktionsegenskaper – Brandmotstånd och/eller brandgasskyddande egenskaper). Rökthet testas enligt EN 1634-3 för såväl kallgaser som varmgaser.

- Brandjalusi NFS EI är testad enligt den nya EN-standarden EN16034-1:2014, EN13241, EN1634-1+A1:2018 och EXAP EN15269-11+C:2019.

Brandjalusin är godkänd i både klass EI1 och EI2

- EI1: Den genomsnittliga temperaturhöjningen på den exponerade sidan ska begränsas till 140°C över den ursprungliga medeltemperaturen, med maximal ökning vid vilken som helst punkt begränsad till 180°C

- EI2: Temperaturökningen vid vilken punkt som helst ska vara begränsad till 360°C mätt vid 100 mm från produkten.

Brandjalusi B-FS EI-klass

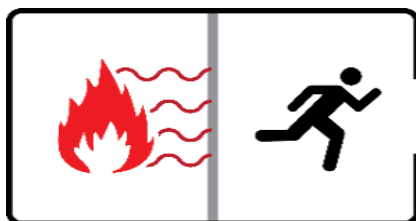
Upp till 60 minuter isolering utan sprinkler:

Brandjalusi EI-klass är tillverkad av dubbelsidiga stålpaneler med ett isoleringsmaterial som sväller vid brand.

- Brandklassning: EI2-60, EI1-30
- Ingen Kåpa
- Termisk isolering från 140°C
- Värmestrålning < 1kW/m²
- 0,8 mm dubbelsidig stålpanel: Höjd 150 mm, Tjocklek 62 mm
- Vikt: panel 38 kg/m². Konstruktion: 50 kg/m²
- Maxformat: Bredd 9283 mm, Höjd 8698 mm eller 50 kvm
- Fri Överhöjd: minst 1062 mm
- Öppningsfrekvens: max 10 öppna/stäng per 24 tim
- 3 fas 400V motor
- Gravity Fail Safe

Optioner:

- Batteribackup: tillfällig reservkraft vid strömavbrott.



EI-klass

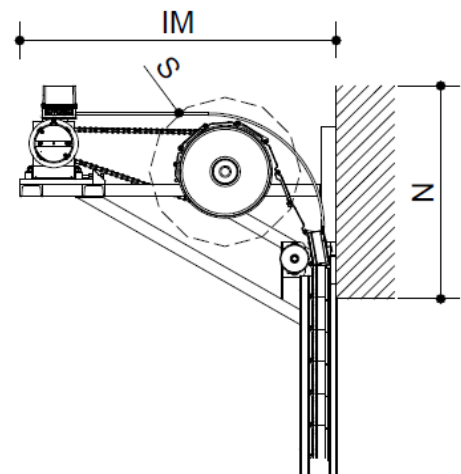


Brandjalusi B-FSEI30-EI60

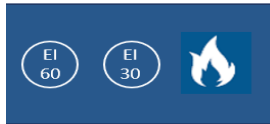


- 1 Motor
- 2 Drivkedja
- 3 Motor konsol
- 4 Drivrulle
- 5 Styrskena
- 6 Jalusimatta
- 7 Styrskåp
- 8 Fallsäkring
- 9 Support konsol

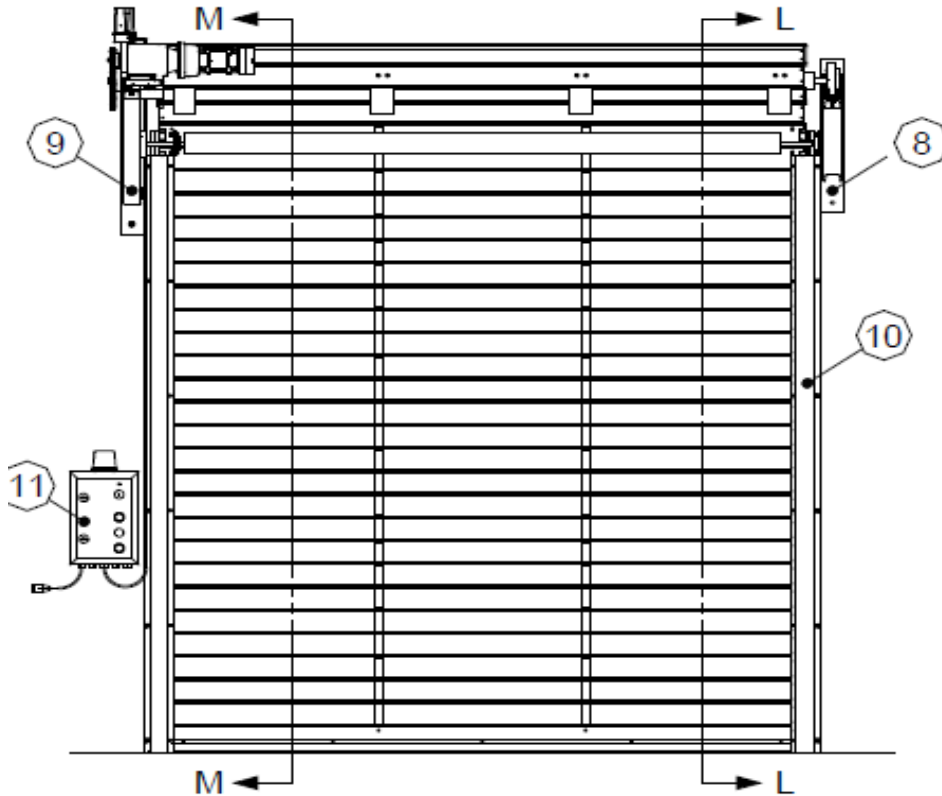
ÖH	N	S	IM
2000	900	650	1050
2500	950	700	1150
3000	1000	750	1150
3500	1050	800	1300
4000	1050	800	1300
4500	1050	850	1400
5000	1050	850	1400
5500	1100	900	1500
6000	1100	900	1500



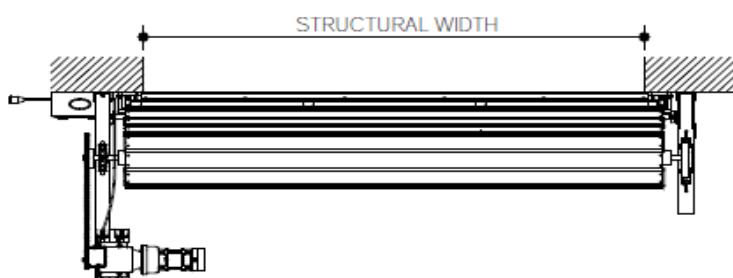
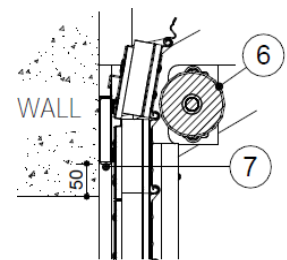
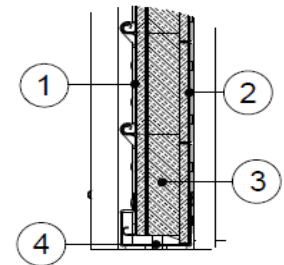
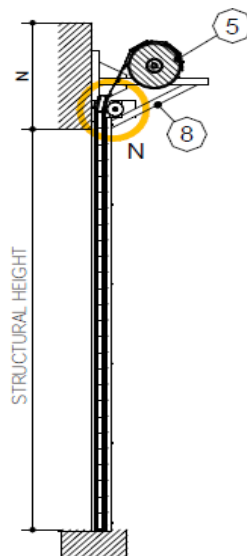
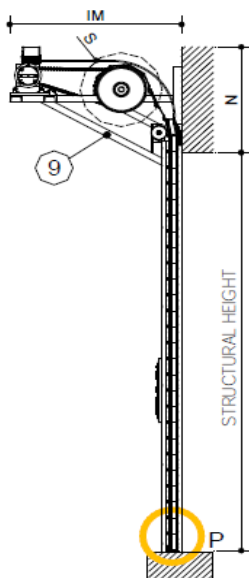
Brandjalusi B-FSEI30-EI60



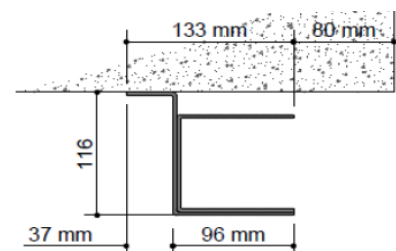
Teknisk ritning



- 1 Stålpanel
- 2 Stålpanel
- 3 Isoleringsmaterial
- 4 U-profil m svällist
- 5 Jalusirulle
- 6 Drivrulle
- 7 Brandlist
- 8 Support konsol
- 9 Motor konsol
- 10 Styrskena
- 11 Styrskåp



Styrskena





CERTIFICATE

No. 0370-CP

CERTIFICATE OF CONSTANCY OF PERFORMANCE

In compliance with Regulation (EU) Nr. 305/2011 of the European Parliament and of the Council of 9 March 2011 (the Construction Products Regulation or CPR), this certificate applies to the construction product:

PEDESTRIAN DOORSETS, INDUSTRIAL, COMMERCIAL, GARAGE DOORS AND OPENABLE WINDOWS.

COVERED BY EN 13241:2003 + A2:2016

PRODUCT: BLOCKSHUTTER EI 120

Placed on the market under the name of:

CONEGLIANO GROUP SRL.

VIA CAMPOLONGO N 1/E - ZONA INDUSTRIALE RAMERA 31010 MARENO DI PIAVE (TV) ITALY

And produced in the manufacturing plant:

VIA CAMPOLONGO N 1/E - ZONA INDUSTRIALE RAMERA 31010 MARENO DI PIAVE (TV) ITALY

This certificate attests that all provisions concerning the assessment and verification of constancy of performance described in Annex ZA of the standard

EN 16034:2014

under system 1 for the performance set out in this certificate are applied and that the factory production control conducted by the manufacturer is assessed to ensure the constancy of performance of the product.

This certificate was first issued on 20th November 2020 and will remain valid as long as neither the harmonized standard, the construction product, the AVCP methods nor the manufacturing conditions in the plant are modified significantly, unless suspended or withdrawn by the notified product certification body. It is modified on 2022.

The monitoring assessment will be done before 30th November 2022

Belaterra, 4th February 2022

Applus+ logo and contact information for the notified body.



Page 1 / 2

CERTIFICATE

No. 0370-CP

CERTIFICATE OF CONSTANCY OF PERFORMANCE

In compliance with Regulation (EU) Nr. 305/2011 of the European Parliament and of the Council of 9 March 2011 (the Construction Products Regulation or CPR), this certificate applies to the construction product:

PEDESTRIAN DOORSETS, INDUSTRIAL, COMMERCIAL, GARAGE DOORS AND OPENABLE WINDOWS.

COVERED BY EN 13241:2003 + A2:2016

PRODUCT: BLOCKSHUTTER EW 120

Placed on the market under the name of:

CONEGLIANO GROUP SRL.

VIA CAMPOLONGO N 1/E - ZONA INDUSTRIALE RAMERA 31010 MARENO DI PIAVE (TV) ITALY

And produced in the manufacturing plant:

VIA CAMPOLONGO N 1/E - ZONA INDUSTRIALE RAMERA 31010 MARENO DI PIAVE (TV) ITALY

This certificate attests that all provisions concerning the assessment and verification of constancy of performance described in Annex ZA of the standard

EN 16034:2014

under system 1 for the performance set out in this certificate are applied and that the factory production control conducted by the manufacturer is assessed to ensure the constancy of performance of the product.

This certificate was first issued on 20th November 2020 and will remain valid as long as neither the harmonized standard, the construction product, the AVCP methods nor the manufacturing conditions in the plant are modified significantly, unless suspended or withdrawn by the notified product certification body. It is modified on 2022.

The monitoring assessment will be done before 30th November 2022



CERTIFICATE OF CONSTANCY OF PERFORMANCE

Notified Body Nr. 0370

No. 0370-CPR-8368

In compliance with Regulation (EU) Nr. 305/2011 of the European Parliament and of the Council of 9 March 2011 (the Construction Products Regulation or CPR), this certificate applies to the construction product:

PEDESTRIAN DOORSETS, INDUSTRIAL, COMMERCIAL, GARAGE DOORS AND OPENABLE WINDOWS.

COVERED BY EN 13241:2003+A2:2016.

PRODUCT: SERRANDA TAGLIAFUOCO BLOCKSHUTTER E90

Placed on the market under the name of:

CONEGLIANO GROUP SRL.

VIA CAMPOLONGO N 1/E - ZONA INDUSTRIALE RAMERA 31010 MARENO DI PIAVE (TV) ITALY

And produced in the manufacturing plant:

VIA CAMPOLONGO N 1/E - ZONA INDUSTRIALE RAMERA 31010 MARENO DI PIAVE (TV) ITALY

This certificate attests that all provisions concerning the assessment and verification of constancy of performance described in Annex ZA of the standard

EN 16034:2014

under system 1 for the performance set out in this certificate are applied and that the factory production control conducted by the manufacturer is assessed to ensure the constancy of performance of the construction product.

This certificate was first issued on 10th June 2022 and will remain valid as long as neither the harmonized standard, the construction product, the AVCP methods nor the manufacturing conditions in the plant are modified significantly, unless suspended or withdrawn by the notified product certification body.

The monitoring assessment will be done before 30th November 2022

